

# SMT Shielded Power Inductors

## GSR63B / GSR74B / GSR105B

### Features (特長)

- Magnetically shielded construction (閉磁路構造設計)
- Compact and thin (輕便薄小)
- Put the electrode with ferrite core directly, a small surface area allow a high mounting density. (直接電極設計、降低零件高度)

### Applications (用途)

- VTR, OA equipment, LCD television set, Notebook, portable communication equipments, DC/DC converters, etc.. (錄放影機、OA 儀器、液晶電視、筆記型電腦、小型通信機器、直流轉換器等)

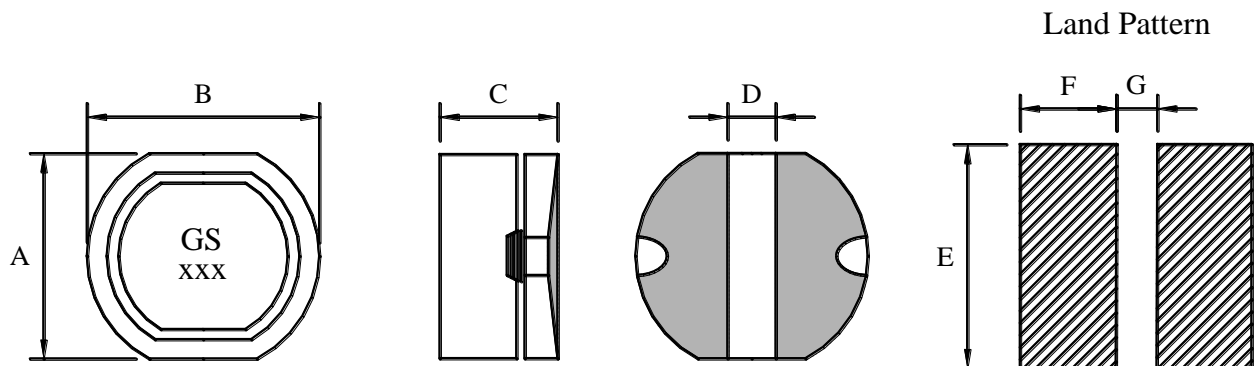


### Product Identification (產品識別)

GSR63B - \_\_\_\_\_ (Ex. GSR63B-100M)

1                      2                      3

1. SMT Shielded Power Inductors (閉磁式功率電感) (GSR63B, GSR74B, GSR105B)
2. Inductance (電感值)
3. Tolerance (誤差值) ( 參照表 K 10%, L 15%, M 20%, N 30%)



Unit In mm

Type (型式)	A (max)	B (max)	C (max)	D (Ref.)	E	F	G
GSR63B	5.90	6.50	3.50	1.45	5.50	2.55	1.70
GSR74B	7.35	8.15	4.90	2.10	7.50	4.00	2.00
GSR105B	9.40	10.40	5.50	2.90	9.50	5.00	2.50

♣ Design as Customer's Requested Specifications. (可依客戶特殊需求設計)

# SMT Shielded Power Inductors

## GSR63B

Electrical Characteristics for GSR63B Series [GSR63B 系列電子特性規格]

Part Number 產品料號	Inductance ( $\mu$ H) 電感值 (L)	Test Freq. (Hz) 測試頻率	DCR ( $\Omega$ ) (max) 直流阻抗	IDC (A) (max) 定格電流
GSR63B – 100M	10.00	2.52M	0.140	1.00
GSR63B – 120M	12.00	2.52M	0.160	0.94
GSR63B – 150M	15.00	2.52M	0.180	0.86
GSR63B – 180M	18.00	2.52M	0.250	0.78
GSR63B – 220M	22.00	2.52M	0.320	0.76
GSR63B – 270M	27.00	2.52M	0.360	0.64
GSR63B – 330M	33.00	2.52M	0.410	0.61
GSR63B – 390M	39.00	2.52M	0.470	0.53
GSR63B – 470M	47.00	2.52M	0.510	0.50
GSR63B – 560M	56.00	2.52M	0.720	0.46
GSR63B – 680M	68.00	2.52M	0.820	0.42

## GSR74B

Electrical Characteristics for GSR74B Series [GSR74B 系列電子特性規格]

Part Number 產品料號	Inductance ( $\mu$ H) 電感值 (L)	Test Freq. (Hz) 測試頻率	DCR ( $\Omega$ ) (max) 直流阻抗	IDC (A) (max) 定格電流
GSR74B – 100M	10.00	2.52 M	0.070	1.65
GSR74B – 120M	12.00	2.52 M	0.070	1.57
GSR74B – 150M	15.00	2.52 M	0.080	1.39
GSR74B – 180M	18.00	2.52 M	0.100	1.29
GSR74B – 220M	22.00	2.52 M	0.130	1.12
GSR74B – 270M	27.00	2.52 M	0.160	1.06
GSR74B – 330M	33.00	2.52 M	0.180	0.97
GSR74B – 390M	39.00	2.52 M	0.180	0.91
GSR74B – 470M	47.00	2.52 M	0.270	0.80
GSR74B – 560M	56.00	2.52 M	0.290	0.76
GSR74B – 680M	68.00	2.52 M	0.330	0.68
GSR74B – 820M	82.00	2.52 M	0.430	0.62
GSR74B – 101M	100.00	1 K	0.490	0.55
GSR74B – 121M	120.00	1 K	0.680	0.49
GSR74B – 151M	150.00	1 K	0.940	0.44
GSR74B – 181M	180.00	1 K	1.000	0.40
GSR74B – 221M	220.00	1 K	1.180	0.36
GSR74B – 271M	270.00	1 K	1.300	0.33

# SMT Shielded Power Inductors

## GSR105B

Electrical Characteristics for GSR105B Series [GSR105B 系列電子特性規格]

Part Number 產品料號	Inductance ( $\mu$ H) 電感值 (L)	Test Freq. ( Hz ) 測試頻率	DCR ( $\Omega$ ) (max) 直流阻抗	IDC (A) (max) 定格電流
GSR105B – 100M	10.00	2.52 M	0.060	2.06
GSR105B – 120M	12.00	2.52 M	0.070	1.94
GSR105B – 150M	15.00	2.52 M	0.070	1.72
GSR105B – 180M	18.00	2.52 M	0.080	1.58
GSR105B – 220M	22.00	2.52 M	0.080	1.42
GSR105B – 270M	27.00	2.52 M	0.100	1.32
GSR105B – 330M	33.00	2.52 M	0.110	1.16
GSR105B – 390M	39.00	2.52 M	0.120	1.10
GSR105B – 470M	47.00	2.52 M	0.140	1.00
GSR105B – 560M	56.00	2.52 M	0.190	0.93
GSR105B – 680M	68.00	2.52 M	0.210	0.85
GSR105B – 820M	82.00	2.52 M	0.280	0.79
GSR105B – 101M	100.00	1 K	0.340	0.72
GSR105B – 121M	120.00	1 K	0.370	0.63
GSR105B – 151M	150.00	1 K	0.510	0.55
GSR105B – 181M	180.00	1 K	0.570	0.50
GSR105B – 221M	220.00	1 K	0.780	0.47
GSR105B – 271M	270.00	1 K	0.870	0.41
GSR105B – 331M	330.00	1 K	1.200	0.37
GSR105B – 391M	390.00	1 K	1.340	0.35
GSR105B – 471M	470.00	1 K	1.500	0.33

※GSR74B-101 ~ 271 Test Freq. : 1KHz / 0.25V.

※GSR105B-101 ~ 471 Test Freq. : 1KHz / 0.25V.

※Operating Temp. :  $-40^{\circ}\text{C}$  ~  $+125^{\circ}\text{C}$

※Inductance drop = 10% typ. at IDC.

※Storage Temperature&Humidity :  $\leq 40^{\circ}\text{C}$  & 70% RH maximum