

# Wind Speed Sensor

Product model: FST200-1002

Firstrate 

FST200-1002 wind speed sensor is light weight and easy to carry. The overall structure is made of polycarbonate material, which is corrosion-resistant and not easy to age. The product has built-in strong anti-radio frequency, anti-electromagnetic interference and anti-lightning surge protection circuits, output electrical signals in a linear relationship with the environmental wind speed. With good waterproof and corrosion resistance, it is widely used in wind speed measurement in environmental monitoring, ship foil, wharf, port and other occasions.

## ◆ Features

- ✓ Adopt photoelectric sensing detection principle, which can work stably for a long time
- ✓ The overall use of polycarbonate material, anti-aging, strong corrosion resistance
- ✓ Wide wind speed measurement range, low starting wind speed
- ✓ Compact design, light weight and easy installation
- ✓ Sensor circuit protection adopts fault-tolerant design
- ✓ Comply with CE EMC standards, multi-level lightning protection and anti-surge design



## ◆ Scope of application

- ◇ Monitoring and control of high-altitude operations
- ◇ Wind speed monitoring of wind turbines, large mechanical equipment, etc.
- ◇ Meteorological station and environmental protection monitoring and control
- ◇ Monitoring and control of other industrial processes related to wind speed safety

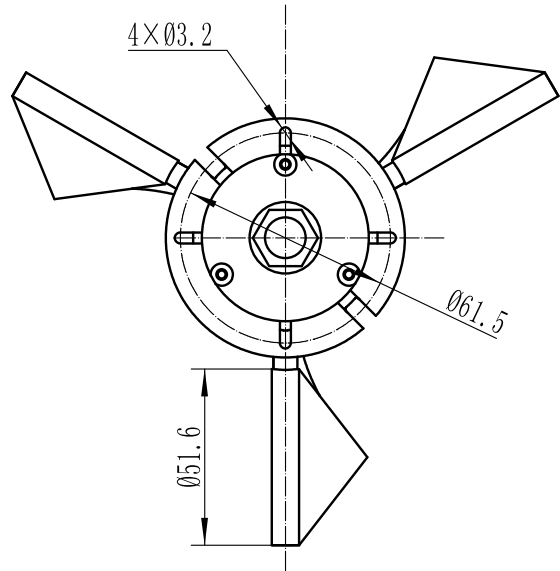
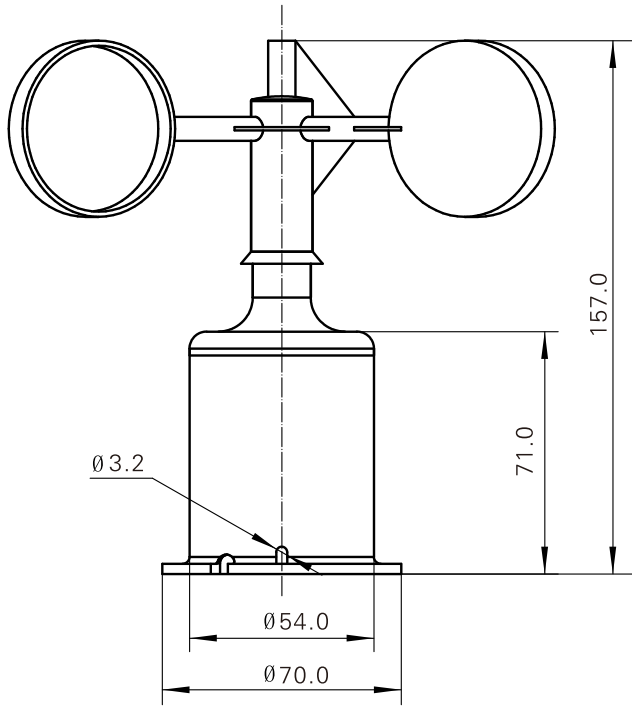
## ◆ Technical parameter

Operating Voltage	DC 12- 30V	Measuring range	0~ 50m/s
Start the wind speed	≥0.5m/s	Wind resistance	> 70m/s
Accuracy	±0.5m/s(<5m/s); ±3%FS(≥5m/s)	Protection level	IP65
Operating temperature	-20°C~+85°C	Electrostatic protection	15KV
Working humidity	0% ~ 95% (not condensed)	Output signal	4~ 20mA, RS485 (Modbus)
Wind cup material	Pc+nylon		

# Wind Speed Sensor

Product model: FST200-1002

## ◆ Product dimensions and wiring method



Signal output	Index	Wiring rules	
Current type Voltage type	1	+Vcc	Red
	2	+Iout/Vout	White
	3	GND	Black
	4	PE	Yellow
RS485	1	+Vcc	Red
	2	GND	Black
	3	RS485A	White
	4	RS485B	Yellow